

MODEL 10

SOLID FRONT PROCESS PRESSURE GAUGES

Solid front, blowout back, field fillable model, designed for the rugged applications of the process and power industries which must withstand the effects of corrosive atmosphere, vibration or severe pulsations.



SPECIFICATIONS:

Dial Size:	4-1/2"
Accuracy:	±0.5% FS - ANSI Grade 2A
Socket:	316SS or Monel 400
Bourdon Tube:	316SS or Monel
Movement:	SS Rotary Geared with Overload/ Underload Stops
Lens:	Laminated Safety Glass
Pointer:	Micrometer Adjustable
Dial:	Heavy Gage Aluminum
Connection:	1/4" NPT or 1/2" NPT Lower Mount
Range:	See Range Chart
Scales:	psi (metric available)
Fillable:	Rubber membrane included
Blowout Back:	Standard
Protection Standard:	IP65 in accordance with NF EN 60529

MODEL CODES:

Model 10S	316SS Tube and Socket
Model 10M	Monel Tube and Socket

CASE STYLE CODES:

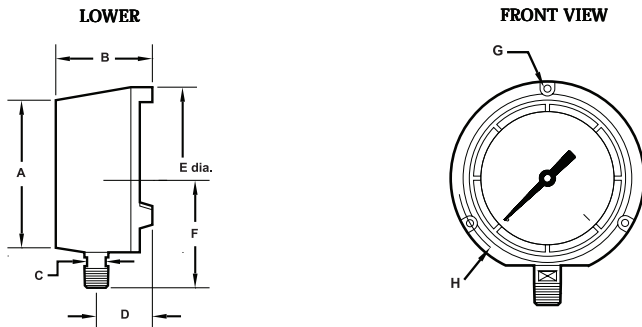
R =	Polypropylene Turret Style Molded Fiberglass Reinforced Thermoplastic
T =	Phenolic Turret Style

Estimated Shipping Weights		
DIAL SIZE	DRY	FILLED
4-1/2"	1 lb. 12 oz.	2 lbs. 12 oz.

➤ AVAILABLE OPTIONS:

- Fill (glycerine standard)
- Plastic Lens
- Other Fluids Available
- Anti-Vibration dampening movement (replaces the need for a fill fluid)
- Restrictor
- Oxygen Cleaning (dry only)
- Calibration Certificate

➤ AVAILABLE CASE STYLES AND DIMENSIONS:



DIAL	A	B	C	D	E	F	G	H
R - CASE 4-1/2"	5.08" (129mm)	1.69" (43mm)	.63" (15,9mm)	1.50" (38mm)	5.83" (148mm)	4.02" (102mm)	.22" (5,6mm)	5.39" (137mm)
T-CASE 4-1/2"	5.08" (129mm)	3.11" (79mm)	.63" (15,9mm)	1.67" (42,5mm)	5.83" (148mm)	4.02" (102mm)	.22" (5,6mm)	5.39" (137mm)



Tel-Tru Manufacturing Company
 408 St. Paul Street, Rochester, New York 14605 USA
 Phone: 585.232.1440 • 800.232.5335 • Fax: 585.232.3857 • E-mail: info@teltru.com • Web: www.teltru.com

► HOW TO ORDER:

To Build A Part Number: Select one code from each column to build your gauge.

DIAL	MODEL CODE	TUBE & SOCKET	CASE	CONN. SIZE	CONN. LOCATION	CONN. TYPE	RANGE & SCALE	OPTIONS
4-1/2"	45 10	S = 316SS M = Monel	R = Polypropylene T = Phenolic	2 = 1/2" 4 = 1/4"	L = Lower	1 = NPT 2 = BSPT 3 = BSP straight	See Range Chart	G = Glycerine Fill P = Plastic Lens R = Restrictor S = Silicone Fill Ø = Dampened Movement Oxygen Cleaning *

* Oxygen cleaning is sold separately. Order part number 10000006.

Example:

Specs: 4-1/2", Model 10, 316SS, 1/2" Lower, NPT, 0-30 psi, Glycerine Fill

Select:

45 10	S	R	2	L	1	C6A	G
-------	---	---	---	---	---	-----	---

Ordering Format: 4510SR2L1C6AG

► STANDARD RANGES:

CODE = RANGE (psi)	INTERVALS (Hg) (psi)	DIVISIONS (Hg) (psi)	CODE = RANGE (psi)	INTERVALS (psi)	DIVISIONS (psi)	Code = RANGE (psi)	INTERVALS (psi)	DIVISIONS (psi)
V1K = VAC 30" Hg-0	5"	.2"	B7A = 0-15	1	.1	F8A = 0-1000	100	10
Z1A = 30-0-15	5" 3	.5" .2	C6A = 0-30	5	.2	H2A = 0-1500	300	10
Z2A = 30-0-30	10" 5	1" .5	D6A = 0-60	10	.5	H5A = 0-2000	200	20
Z3A = 30-0-60	10" 10	1" 1	D9A = 0-100	10	1	H9A = 0-3000	500	20
Z4A = 30-0-100	30" 10	2" 1	E4A = 0-160	20	2	J8A = 0-5000	500	50
Z6A = 30-0-200	30" 20	5" 2	E5A = 0-200	20	2	K4A = 0-10,000	1000	100
			E8A = 0-300	50	2	K7A = 0-15,000	3000	100
			F2A = 0-400	50	5			
			F4A = 0-600	100	5			
			F7A = 0-800	100	10			

ALTITUDE RANGES

CODE = RANGE (ft./H ₂ O/psi)	FIGURE INTERVALS (ft.) (psi)	DIVISIONS (ft.) (psi)
C8T = 0-35/0-15	5 3	.5 .25
G1T = 0-70/0-30	5 5	.5 .25
E2T = 0-140/0-60	10 5	1 1
N8T = 0-230/0-100	20 10	5 1
N9T = 0-370/0-160	40 20	5 2
N7T = 0-460/0-200	40 20	10 2
N6T = 0-690/0-300	50 30	10 5

RECEIVER RANGES

CODE = RANGE	FIGURE INTERVALS	DIVISIONS
V6V = 3-15 psi (0-100%)	10	1

AMMONIA RANGES

CODE = RANGE (psi)	INTERVALS (Hg) (psi)	DIVISIONS (Hg) (psi)
U6Y = 30-0-150	30" 20	5" 2
Z7Y = 30-0-300	30" 20	5" 5

NOTE: ABOVE 15,000 PSI AVAILABLE ONLY WITH 1/2" BSP STRAIGHT CONNECTION (G¹/₂).
NOTE: OTHER RANGES AND SCALES AVAILABLE. CONSULT FACTORY.